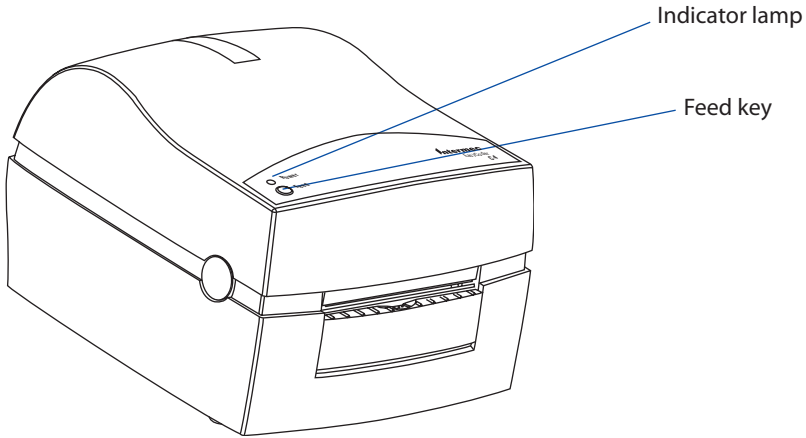


# Controls and Indicators

The EasyCoder PC41 is controlled by the operator by means of a Feed key, an On/Off switch, and a multi-color indicator lamp.



## Feed Key

The Feed key performs the following functions depending on the mode:

Printer Mode	You want to	What to do
Idle	Feed out one label or a minimum specified amount of media	Press and release the Feed key
	Continuously feed media	Press and hold the Feed key. When you release the key, the media stops feeding
	Take the printer offline	Press the Feed key twice. Press the key again to bring the printer online.
Printing	Pause the printer	Press and release the Feed key. Press and release the key again to resume printing
	Cancel the current print job	Press and hold the Feed key until the printer stops printing
Powered on for the first time	Print the hardware configuration label	Press and hold the Feed key while you switch on the printer
	Print the software configuration label	Press the Feed key after the hardware configuration label stops printing
	Print the pitch label	Press the Feed key after the software configuration label stops printing

## On/Off Switch

The On/Off switch is located at the back of the printer.








## Indicator Lamp

When the power to the printer is switched on, the indicator lamp will glow green if the printer is loaded with media and—in case of thermal transfer printing—ribbon.

If the printer is out of media and/or ribbon, the indicator lamp will glow orange.

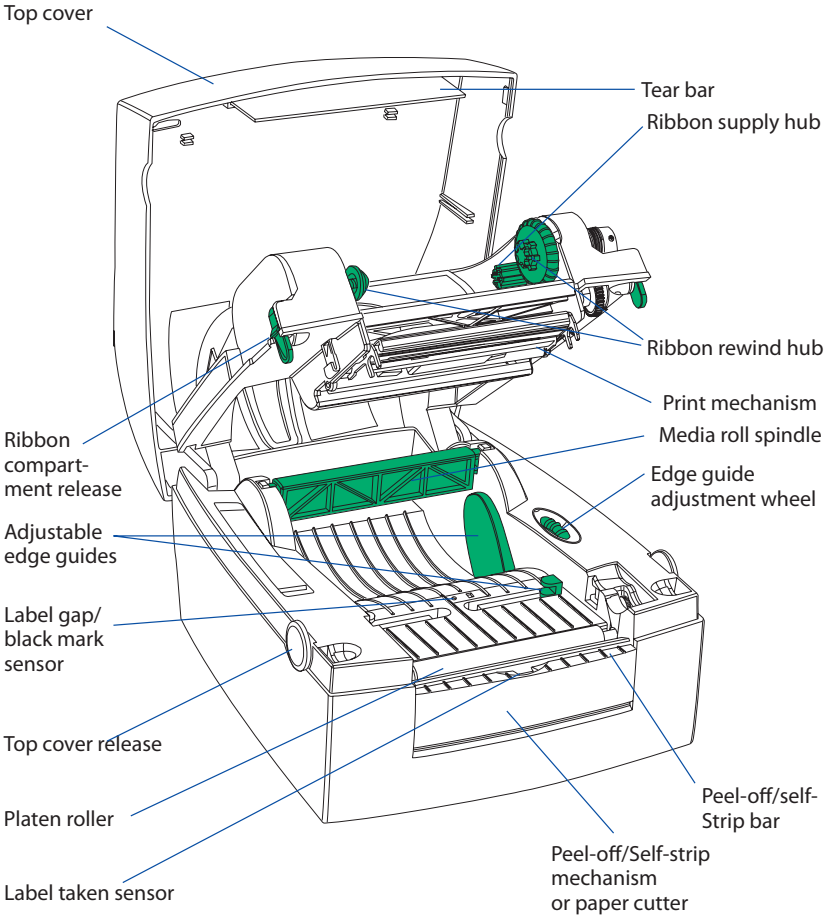
Any error condition, such as software errors, will be indicated by the lamp changing to red.

If the indicator lamp fails to work as described above, please refer to Chapter 5 “Troubleshooting”.

Color	Meaning
 Green (solid)	Ready
 Green (flashing)	Receiving data
 Red (solid)	System fault
 Red (flashing)	Overtemperature
 Orange (solid)	Media fault
 Orange (flashing)	Paused
 Dark	Power off

# Media Compartment

The media compartment accommodates the media supply and, in case of thermal transfer capable printers, also the transfer ribbon supply (see illustration below).



# Media Load

## Introduction

The EasyCoder PC41 can print on heat-sensitive direct thermal paper (direct thermal printing), and also on non heat-sensitive receiving face materials (thermal transfer printing), in the form of self-adhesive labels, non-adhesive tags, or continuous stock. In case of non heat-sensitive face materials, a suitable thermal transfer ribbon must be used.

The media stock can be accommodated inside the printer in the form of a roll, or be placed behind the printer and inserted through a slot in the cover (for example fan-folded tickets or tags).

Three types of operation are available, Tear-Off (Straight-through), Peel-Off/Self-Strip, and Cut-Off:

### Tear-Off

Tear-off (Straight-through) means that the media is fed straight out from the front of the printer and can be torn-off manually by pulling it upwards against the edge on the top cover. Tear-off mode can, for example, be used for tearing off tags at the perforation, or tearing off the liner (backing paper) between labels.

### Peel-Off/Self-Strip

Peel-off/Self-strip means that self-adhesive labels are automatically separated from the liner (backing paper) after printing. It cannot be used in connection with a paper cutter. The labels are fed straight out from the printer, whereas the liner is fed out separately from a slot further down on the printer's front, from where it can be lead to for example a waste basket. Be careful when loading self-adhesive labels. If labels are not flat on the liner, the exposed edges can stick to your printer and cause problems.

### Cut-Off

Cut-off requires an optional paper cutter fitted in place of a peel-off/self-strip device and means that the liner of self-adhesive labels is automatically cut between labels or non-adhesive continuous strip is cut into tickets and tags. The cutter is not designed to cut through any adhesive, which would stick to the cutting shears and prevent the cutter from operating.

## Label Taken Sensor

The built-in Label Taken Sensor (LTS) can be enabled to hold the printing until the previous label (or similar) has been removed from the printer's outfeed slot. As long as the sensor detects a label, the printer will be BUSY and unable to receive data from the host.

The LTS can be enabled/disabled manually using the switch next to the sensor (see below) or, if using the IPL protocol described in the *IPL Programmer's Reference Manual*, by the <SI>t command.

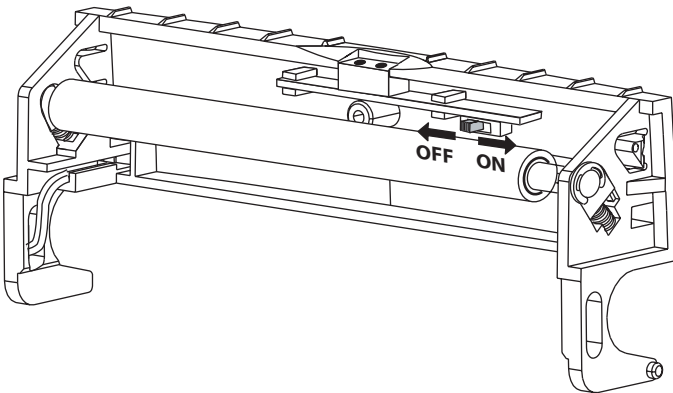
The Intermec InterDriver provides options for selecting the following modes of operation without any commands having to be entered by the operator:

- Tear-off
- Peel-off/Self-strip with LTS enabled



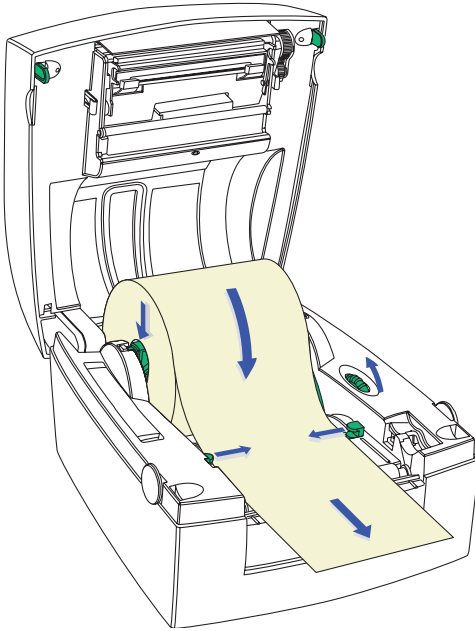
Warning

**If the printer runs out of media while printing, do not switch off the power during reload, or data will be lost!**



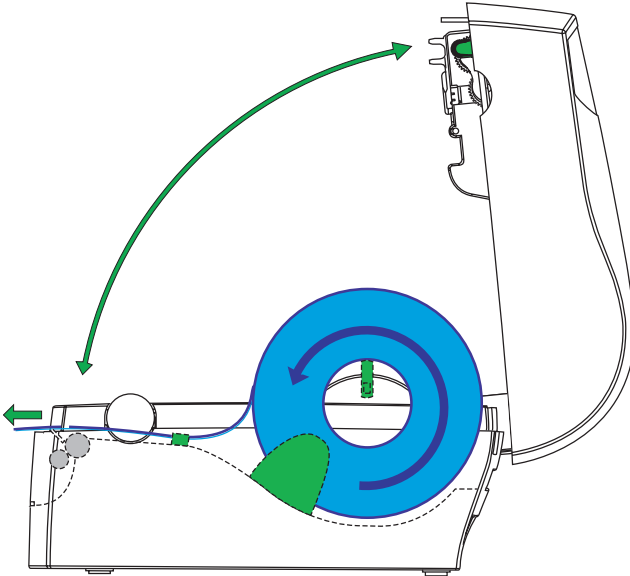
*The Label Taken Sensor can be enabled (on) or disabled (off) using a manual switch inside the peel-off/self-strip mechanism.*

# Tear-Off Operation



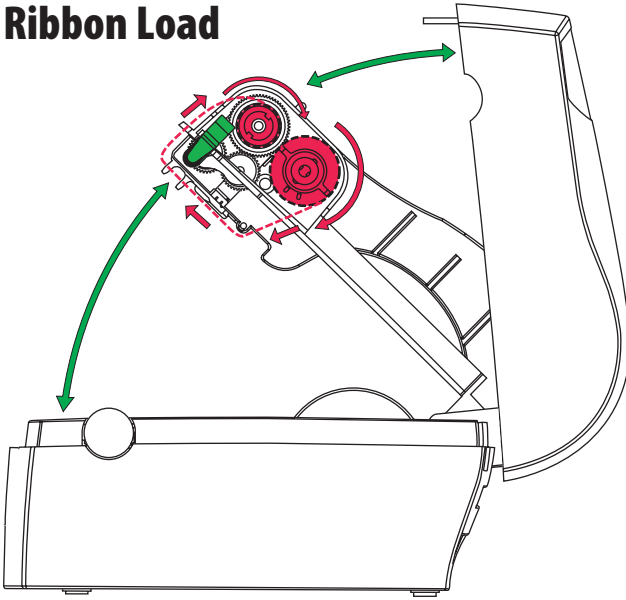
- 1 Open the printer's top cover by pressing the release buttons on both sides and folding the cover upwards/rearwards.
- 2 Pull up the spindle and remove possible remaining media or empty label roll core.
- 3 Place the spindle into the core of a fresh media roll. Rotate the spindle according to the inner diameter of the media roll core (see markings on the spindle).
- 4 Wind the green edge guide wheel towards the front of the printer so you can fit the media roll between the guides.
- 5 Place the media roll and spindle in the media compartment and snap the spindle into the slots on either side.
- 6 Wind the green edge guide wheel towards the rear of the printer so the rear edge guides just touch the roll without actually breaking its rotation.

- 7 Route the media through the slits in the front edge guides
- 8 Firmly close the top cover.
- 9 Press the Feed key.
- 10 If the printer did run out of media while printing, the printing will automatically be resumed. Else, tear off excessive media by pulling it upwards against the tear bar.



*Tear off the media upwards against the tear bar.*

## Ribbon Load



Thermal transfer ribbons are required when printing on non heat-sensitive media. The type of transfer ribbon should match the face materials, so as to obtain the best durability and printout quality.

### Loading a Fresh Ribbon Roll

- 1 Open the printer's top cover by pressing the release buttons on both sides and folding the cover upwards/rearwards.
- 2 Press the green release tabs at the bottom of the top cover on both sides of the printhead and fold down the print carriage halfway (45° angle) while keeping the top cover fully opened.
- 3 Remove front core with the used-up ribbon and the empty core at the rear. Keep the empty core!
- 4 Unpack a fresh roll of transfer ribbon and route the ribbon leader down in front of the wall, that separates the print carriage from the media compartment, so the ribbon will feed from the top of the roll with the ink-covered side facing rearwards.
- 5 Install the ribbon roll in the rear position by placing one end over the left-side hub and pushing to the left. Then align the right end with the right-side hub and engage.

- 6 Similarly, install an empty core in the rewind (front) position.
- 7 Route the end of the transfer ribbon forward under the printhead and up in front of it. Using the tape fitted at the front of the ribbon leader, affix the leader to the top of the rewind core. Be careful to center-align the leader with the core.
- 8 Wind the green wheel on the right side of the rewind hub clockwise to wind up the leader onto the rewind core until the black ink-coated ribbon becomes visible. Remove any slack.
- 9 If so required, also load a fresh supply of receiving face material, for example labels, according to instructions earlier in this chapter.
- 10 Close the print carriage by pressing it firmly down simultaneously on both sides. A loud click indicates locked position.
- 11 Firmly close the printer's top cover.
- 12 Press the Feed key.

## **Removing a Partially Used Ribbon**

When switching between direct thermal and thermal transfer printing, or when switching between different types of transfer ribbon, a partially used transfer ribbon can be removed and saved for later use.

- 1 Open the printer's top cover by pressing the release buttons on both sides and folding the cover upwards/rearwards.
- 2 Press the green release tabs at the bottom of the top cover on both sides of the printhead and fold down the print carriage halfway (45° angle) while keeping the top cover fully opened.
- 3 Using a pair of scissors, cut the transfer ribbon just below the rewind roll.
- 4 Rewind the unused ribbon onto the supply spool. Remove the roll by pushing it to the left until the right end disengages and then lifting the roll up. Fasten the loose end with a piece of tape or label to prevent the roll from unwrapping.
- 5 Remove the rewind roll by pushing to the left and lifting up. Unwind the used ribbon into a waste basket or similar until you can dispose of it according to local environmental regulations. Keep the core! You will need it next time you load a ribbon.

The Intermec EasyCoder PC41 printer is manufactured and tested under a strict quality management program. Only high quality components and materials are used in the printers. Although only minimal maintenance is required, following these simple maintenance procedures will ensure longer life with quality printing performance.

## External Cleaning

Keep your EasyCoder PC41 clean by periodically wiping it with a soft cloth dampened with water. Do not use abrasive cleaners or solvents as they will scratch the surface.

## Printhead Cleaning

We recommend using the special Cleaning Card (part number 1-110501-00) and the procedures below to clean the printhead before loading each new roll of labels or tags.



**Warning**

**Cleaning Cards contain isopropyl alcohol ( $\text{CH}_3)_2\text{CHOH}$  CAS 67-63-0 which is highly flammable, moderately toxic, and mildly irritating.**

- 1 Switch off the power to the printer.
- 2 Open the top cover/print carriage.
- 3 Unload the media stock.
- 4 In case of thermal transfer printing, also remove the transfer ribbon.
- 5 Open the pouch and pull out the cleaning card. Be careful not to tear the card inside!
- 6 Insert the cleaning card under the print carriage the same way as when loading the media. Allow approximately 2 to 3 cm (1 inch) of the cleaning card to extend in front of the printhead.
- 7 Fold down the print carriage to locked position.
- 8 Use one hand to hold the printer and the other hand to pull the cleaning card forward, until the entire card has been pulled free.
- 9 Repeat steps 6, 7, and 8 a second time, then proceed at step 10.
- 10 Dispose properly of the used cleaning card and reload the media and ribbon supplies.

<b>Problem</b>	<b>Solution or Reason</b>
The Indicator lamp is not lit when the power is turned on.	Make sure connectors on power supply are securely plugged into the receptacle on the printer and to an AC outlet.
Control lamp lights green but printer will not feed.	Label taken sensor active, label not removed. Make sure correct type of interface cable is securely plugged into both printer and computer.
Printer seems to be working but nothing is printed.	<b>Direct Thermal Printing:</b> Verify that the media is intended for direct thermal printing by testing if the paper is blackened by the heat from a hot object (+ 70°C/160°F or more). Check that the heat-sensitive side faces the printhead. <b>Thermal Transfer Printing:</b> Verify that the printer is loaded with thermal transfer ribbon and that the ink-coated side faces the receiving face material.
Printing is faded.	Clean the printhead with the cleaning card. If printing is still faded, increase the darkness setup.
Prints only partial label.	Print carriage not completely locked. Label caught on printhead. Remove and clean.
Printer keeps printing or feeding when it should not.	Label caught on label gap sensor. Open top cover. Remove the label and clean using cleaning card or isopropyl alcohol. Possible firmware problem.
Printing stops and indicator lamp lights orange.	Possible problem with the label gap sensor. Cycle power to recalibrate the sensor. Possible media jam. Possible firmware problem. Out of media—install new!
Label stuck on roller.	Open the peel-off/self-strip mechanism and use fingers to peel away stuck label while manually rotating the roller. Do not use any sharp tools! Clean using a cleaning card or a cotton swab moistened with isopropyl alcohol.
Label taken sensor does not hold printing until label/tag has been removed.	Label/tag bent down due to excessive length and/or too thin or soft media. Label/tag too short (less than 16 mm/.63 inches). Label taken sensor or cable defective.
Indicator lamp flashes red, printing is interrupted	Overtemperature. Wait for the printer to cool down until the indicator lamp switches to green and the printing (if halted) is automatically resumed.